



385B Skid Steer Loader



Engine	Yanmar 4TNV98T-ZNLYS
Gross Power	61.6 kW (82.6 hp) @ 2,400 rpm
Net Power	57.3 kW (76.8 hp) @ 2,400 rpm
Breakout Force	25 kN
Rated Load	1,045 kg
Bucket Capacity	0.6 m ³
Operating Weight	3,550 kg

385B Skid Steer Loader



ENGINE

Emission Regulation	Tier 3 / Stage IIIA
Make & Model	Yanmar 4TNV98T-ZNLYS
Gross Power	61.6 kW (82.6 hp) @ 2,400 rpm
Net Power	57.3 kW (76.8 hp) @ 2,400 rpm
Peak Torque	292.6 N·m @ 1,550 rpm
Number of Cylinders	4
Displacement	3.3 L
Cooling Type	water

ELECTRICAL SYSTEM

System Voltage	12 V
Alternator Output	80 amps

CHAIN TANK

Drive Chain Size	100 HS
------------------	--------

TIRES

Ply Type	pneumatic
Tire Size	12-16.5
Ply Rating	10

HYDRAULIC SYSTEM

System Type	closed
Standard Flow	84.3 L/min
Optional High Flow	122.1 L/min
Traveling Hydrostatic Pressure	32 MPa
Working Hydrostatic Pressure	20.7 MPa
Hydraulic Cycle Time, total	8.7 s
Raise	4.1 s
Dump	2.4s
Lower (empty, float down)	2.2 s

OPERATING WEIGHT

Operating Weight	3,550 kg
------------------	----------

PERFORMANCE

Static Tipping Load	2,090 kg
Rated Load	1,045 kg
Boom Breakout Force	21.6 kN
Bucket Breakout Force	25 kN
Dump Clearance at Full Height Discharge	2,425 mm
Dump Reach at Full Height Discharge	560 mm
Maximum Dump Angle at Full Height	39°
Maximum Hinge Pin Height	3,105 mm
Bucket Rollback at Ground Level	30°
Ground Clearance	200 mm
Angle of Departure	27°
Front Clearance Radius	2,000 mm

SERVICE CAPACITIES

Fuel Tank	80 L
Engine Oil	10.4 L
Cooling System	20 L
Hydraulic Reservoir	56 L
Hydraulic System Total	60 L
Chain Tanks, Each	12 L

STANDARD EQUIPMENT

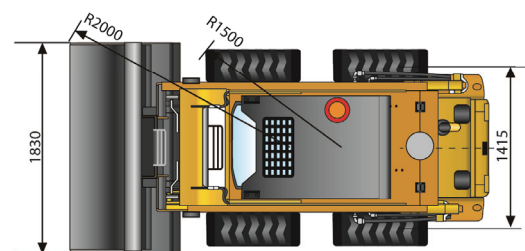
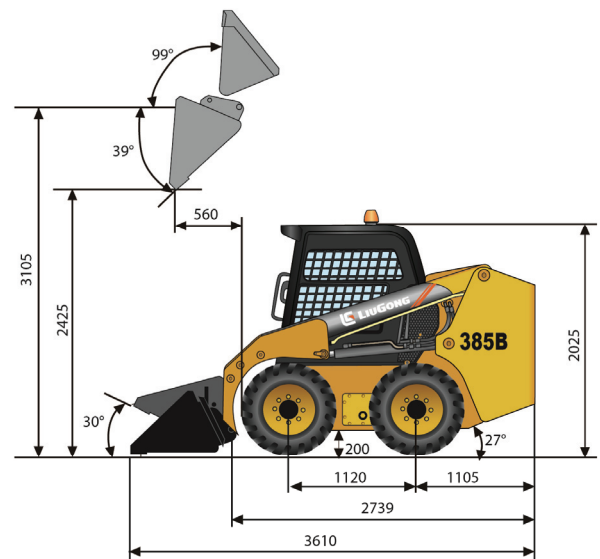
General Bucket –0.6 m³
Control Safety Interlock
Boom Interlock
Quick Coupler
Open ROPS/FOPS Cab
Flow Standard-84.3 L/min

OPTIONAL EQUIPMENT

Enclosed ROPS/FOPS Cab with AC
Auxiliary High Flow-122.1 L/min
Solid Tire
Tire Chains
Heater
A/C
Optional Counterweight

OPTIONAL ATTACHMENTS

4 in 1 Bucket – 0.5 m ³	Auger
Rock Bucket – 0.4 m ³	Cold Planer
Scrap Bucket – 350 mm to 650 mm	Snow Blade
Hydraulic Hammer	Pick-up Sweeper
Fork	Hydraulic Shear
Lift Boom	



Unit:mm

Guangxi Liugong Machinery Co., Ltd.

No. 1 Liutai Road, Liuzhou, Guangxi 545007, PR China
T: +86 772 388 6124 E: overseas@liugong.com
www.liugong.com

01/2013 Designed by LiuGong

Specifications and designs are subject to change without notice. Machines shown may include optional equipment.