

Model	Capacity @ 500 mm LC	Power Type	Controller
2020A	2,000 kg	Electric	SME

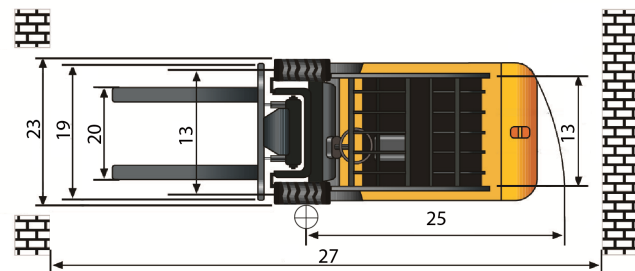
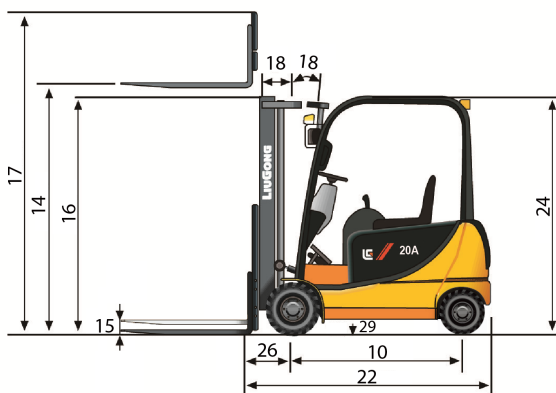
# CLG2020A

Electric Four Wheel  
Pneumatic Tire Forklifts



TOUGH WORLD. TOUGH EQUIPMENT.

General	1	Model			2020A
	2	Power Type			Electric
Weights	3	Base Capacity	@ rated load center	kg	2,000
	4	Load Center		mm	500
	5	Service Weight	unloaded with minimum weight battery	kg	3,600
Tires	6	Axle Load	loaded, front / rear	kg	4,908 / 692
	7	Wheelbase	unloaded, front / rear	kg	1,769 / 1,831
	8	Tire Type			Pneumatic
	9	Wheels	front / rear		2 / 2
Mast	10	Wheelbase		mm	1,510
	11	Tire Size	front		200/50-10
	12	Freelift	rear		16x6-8
	13	Tread Width	front / rear		915 / 880
	14	Max. Fork Height	with std 2 - stage mast	mm	3,000
	15	Freelift	with std 2 - stage mast	mm	140
	16	Height, Upright Lowered	with std 2 - stage mast	mm	2,045
	17	Height, Upright Extended	with std 2 - stage mast	mm	4,090
Chassis	18	Mast Tilt, Fwd / Back	with std 2 - stage mast	deg	6° / 7°
	19	Carriage	width	mm	1,040
	20	Fork Spread	minimum / maximum	mm	222 / 1,010
	21	Fork Dimensions	T x W x L	mm	40 x 100 x 1,070
	22	Length to Fork Face	with std 2 - stage mast	mm	2,175
	23	Overall Width		mm	1,110
	24	Overhead Guard Height		mm	2,025
	25	Turning Radius	minimum outside	mm	2,050
	26	Fork Overhang	with std 2 - stage mast	mm	390
	27	Right Angle Stack	add load length and clearance	mm	3,640
Performance	28	Ground Clearance	minimum loaded	mm	60
	29	Lift Speed	center of wheelbase	mm	105
	30	Battery Compartment	length / width / height	mm	738 / 830 / 633
	31	Travel Speed	loaded / unloaded	kph	15 / 15
	32	Lift Speed	loaded / unloaded	m/s	0.35 / 0.5
	33	Lower Speed	loaded / unloaded	m/s	0.5 / 0.4
	34	Max. Drawbar Pull	5 min. rating	kg	1,275
Systems	35		60 min. rating	kg	286
	36	Max. Gradeability	5 min. rating	%	20
	37		Controllers	drive / hydraulic (make, type)	SME, AC
	38	Motors	drive output (60 min. rating)	kW	13
	39		hydraulic output (15 min. rating)	kW	15
	40		Battery	type	Lead Acid
	41		voltage		48
	42	Hydraulic Pressure	max. capacity (6 hour rating)	Ah	600
	43		weight, minimum / maximum	kg	900 / 1,200



Guangxi Liugong Machinery Co., Ltd.  
 No. 1 Liutai Road, Liuzhou, Guangxi 545007, PR China  
 T: +86 772 3886124 E: overseas@liugong.com  
 www.liugong.com

05/2014 Designed by LiuGong