

Engine

Yuchai

Isuzu

6J125Z-T20 / 6.494 L

A-6BG1QC-02 / 6.494 L

Fuel Type

Diesel

Diesel

Capacity @ 600 mm LC

10,000 kg

10,000 kg

CLG2100H

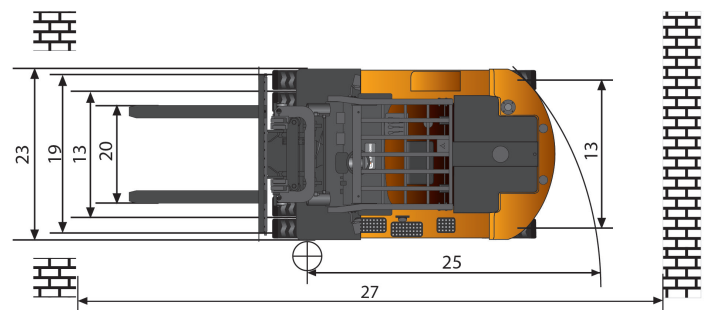
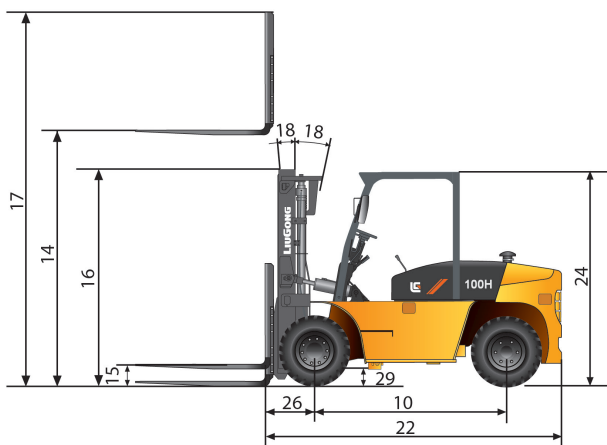
DIESEL
PNEUMATIC TIRE FORKLIFTS



TOUGH WORLD. TOUGH EQUIPMENT.

CLG2100H SPECIFICATIONS >>>

General	Model	1			2100H	2100H	
	Power Type	2			Diesel	Diesel	
	Base Capacity	3	@ rated load center	kg	10,000	10,000	
	Load Center	4		mm	600	600	
Weights	Service Weight	5	unloaded	kg	12,800	12,800	
	Axle Load	6	loaded / unloaded, front	kg	20,300 / 5,620	20,300 / 5,620	
		7	loaded / unloaded, rear	kg	2,500 / 71,80	2,500 / 71,80	
Tires	Tire Type	8			Pneumatic	Pneumatic	
	Wheels	9	front / rear		4 / 2	4 / 2	
	Wheelbase	10		mm	2,800	2,800	
	Tire Size	11	front			9.00-20-14PR	9.00-20-14PR
		12	rear			9.00-20-14PR	9.00-20-14PR
	Tread Width	13	front / rear			1,600 / 1,720	1,600 / 1,720
Mast	Max. Fork Height	14	with std 2-stage mast	mm	3,000	3,000	
	Freelift	15	with std 2-stage mast	mm	200	200	
	Height, Upright Lowered	16	with std 2-stage mast	mm	2,675	2,675	
	Height, Upright Extended	17	with std 2-stage mast	mm	4,175	4,175	
	Mast Tilt, Fwd / Bwd	18	with std 2-stage mast	deg	6° / 12°	6° / 12°	
	Carriage	19	width	mm	2,210	2,210	
	Fork Spread	20	minimum / maximum	mm	430 / 2,130	430 / 2,130	
	Fork Dimension	21	T x W x L	mm	80×175×1,520	80×175×1,520	
Chassis	Length to Fork Face	22	with std 2-stage mast	mm	4,260	4,260	
	Overall Width	23		mm	2,210	2,210	
	Overhead Guard Height	24		mm	2,646	2,646	
	Turning Radius	25	minimum outside	mm	3,850	3,850	
	Fork Overhang	26	with std 2-stage mast	mm	720	720	
	Right Angle Stack	27	add load length and clearance	mm	5,860	5,860	
	Ground Clearance	28	minimum loaded	mm	290	290	
		29	center of wheelbase	mm	300	300	
Performance	Travel Speed	30	loaded / unloaded	km/h	23 / 28	20 / 25	
	Lift Speed	31	loaded / unloaded	m/s	0.34 / 0.42	0.31 / 0.35	
	Lower Speed	32	loaded / unloaded	m/s	0.41 / 0.35	0.41 / 0.35	
	Max. Drawbar Pull	33	loaded	kg	6,800	6,800	
	Max. Gradeability	34	loaded / unloaded	%	28/26	28/26	
Systems	Brakes	35	service		Foot / Hyd	Foot / Hyd	
		36	parking		Hand / Mech	Hand / Mech	
	Engine	37	manufacturer			Yuchai	Isuzu
		38	model			6J125Z-T20	A-6BG1QC-02
		39	emission compliance			China Tier II	Euro Tier I
		40	cylinders			6	6
		41	displacement	liter		6.494	6.494
		42	rated power	kw/rpm		92 / 2,200	82.4 / 2,000
		43	max. torque	N • m/rpm		500 / 1, 500	416.8 / 1,500



Guangxi Liugong Machinery Co., Ltd.

No. 1 Liutai Road, Liuzhou, Guangxi 545007, PR China
T: +86 772 3886124 E: overseas@liugong.com
www.liugong.com

06/2014 Designed by LiuGong

Specifications and designs are subject to change without notice. Machines shown may include optional equipment.