

	877H	886H	890H
Engine	Cummins 6LTAA8.9	Cummins QSM 11	Cummins QSM 11
Net Power	210 kW (285 hp)	223 kW (303 hp)	273 kW (371 hp)
Operating Weight	23,950 kg	25,300 kg	30,600 kg
Bucket Capacity	3.5 – 7.0 m ³	3.5 – 7.0 m ³	4.0 – 9.0 m ³

877H/886H/890H

WHEEL LOADER



TOUGH WORLD. TOUGH EQUIPMENT.

TOUGH WORLD. TOUGH EQUIPMENT.

You don't need to be told it's a tough world. It's your reality, you live it every day and you know how hard it can be on your people and your machines. It's getting tougher to make your business pay too, with rising costs, increasing legislation and greater competition. We understand and we've put that understanding into action with our new H series wheel loaders.

NO TOUGH COMPROMISES, JUST EVERYTHING YOU NEED AND NOTHING YOU DON'T

The construction equipment industry has seen an expensive trend towards over-engineered products. Some manufacturers genuinely believe that adding cost, adds perceived value in customers' eyes.

BUT YOU TOLD US A DIFFERENT STORY

You asked for a tough, well-engineered wheel loader, which just keeps on working, cycle after cycle.

YOU WANTED A ROBUST WHEEL LOADER THAT DELIVERS ON 3 ESSENTIAL NEEDS;

1



HEAVYWEIGHT CREDIBILITY

2



UPTIME AND SUPPORT

3



TOTAL COST OF OWNERSHIP



With the new wheel loader, we've risen to your challenge and given you everything you want – a tough, credible wheel loader – built without compromise.



TOUGH FACTS

TOUGH QUALITY STANDARDS

When it comes to quality, we let our actions to speak for themselves.

We are following a rigorous Six Sigma methodology and consistently achieve ISO 9001 standards.

TOUGH RESEARCH AND TESTING

Finding tougher, smarter, safer and more cost-effective ways of working matters to you. It matters to us too. Our new Global Research & Development Centre in Liuzhou China, is a great example of this customer focused approach. We've established an international team of industry experts, backed up with the latest world-class technology, all focused on delivering greater value to you.

TOUGH PARTNERS

LiuGong has teamed up with some of the industry's best known names. Here's just a few of our valued joint venture partners;

- German drivetrain components manufacturer ZF Friedrichshafen AG
- Finnish mining and aggregates processing equipment manufacturer Metso
- North American diesel engine manufacturer Cummins



HEAVYWEIGHT CREDIBILITY

In tough quarrying and mining environments, there's no room for guesswork. You need to know that your wheel loader can easily handle all the strenuous day-to-day tasks with speed, economy and unending stamina. Your business credibility ultimately depends on your machine's operating performance and with our new wheel loaders you can be sure that your reputation is in safe hands.

1 HEAVYWEIGHT POWER

At the heart of our exceptional powertrain lies the latest Cummins engine. This power house has been designed to deliver impressive acceleration and torque output, along with a serious bucket filling and lifting capability which greatly increases cycle times and earning potential. As you would expect, the Cummins engine fully complies with EU Stage II emission standards.

2 HEAVYWEIGHT COMBINATION

Faster cycle times are made easy with the machine's power combination. The engine is teamed up with a four speed, ZF smooth shifting transmission. This combination optimizes power and fuel efficiency, day after day, increasing bucket breakout force and loading capability. To this, we've added larger, high capacity axles which make light work of the toughest terrain and intelligent hydraulics for low-engine speed performance, quick steering response and rapid boom up speeds. We put this power right in your operator's hands with simple and intuitive controls designed to get the job done faster and more effectively every cycle.

3 THE CAPABILITY TO LIFT MORE FOR LONGER

Our new H Series buckets load heavy materials easier and faster; saving you time, lowering fuel consumption and reducing damage. In tests, our new buckets increase production by 14% and lower fuel consumption by 15% per hour. In addition, damage to the bucket and teeth can be greatly reduced thanks to the stronger anti-wear blade.

4 PROVEN ZF AXLE PERFORMANCE

Stability, traction and weight loading capability are the 3 key essentials for axles in heavy applications. Our new ZF axles with limited-slip differentials excel in handling heavy loads up to 44T static and 25T dynamic in tough terrain. The intelligent, responsive power combined with excellent traction and stability give operators a real feeling of confidence on any ground – soft and shifting or hard and unforgiving.

5 NEW Z-BAR ENHANCEMENTS

Careful distribution of stress loads increases the Z-bar's tolerance significantly. Hinge pins and lift arm mounting plates have been strengthened, while optimized Z-Bar geometry improves bucket breakout force, operator visibility, loading stability and speed.

6 SAFETY CREDENTIALS

When it comes to operator safety our cabs are second to none. ROPS and FOPS safeguard your operator, but we've gone further, increasing stability to prevent roll overs happening in the first place. As a result, operators can relax and be confident in the integrity of their machine, no matter how unstable the terrain.

7 HEAVYWEIGHT BACKBONE

The chassis frame is the backbone of the machine, so it's got to be tough. Our rigorous design and testing regime has delivered a chassis capable of absorbing all the forces and pressures of the toughest most demanding environments. Hour after hour, day after day, year after year, our chassis stay strong, protecting the driveline, your operator and your profitability.

8 NEW DIESEL TANK

A new larger, better protected and more efficient fuel tank keeps the wheel loader working harder for longer. Its well-positioned suction line achieves 96% utilization even on steep slopes. In addition, diesel cooling reduces vapor, lowers temperature and increases overall fuel efficiency.

9 15% AIRFLOW IMPROVEMENT

A new grill, a larger more efficient cooling fan and a newly redesigned radiator all combine to deliver a 15% improvement in ventilation. Whatever the conditions, you can be confident that the 877H/886H/890H will always keep its cool when the going gets tough.



TOUGH JUDGES

Wheel loader operators are tough judges. They know what they like and what they don't. We've talked, we've listened and we've delivered a no-nonsense wheel loader that will do everything the operator wants and needs it to do. **Job done? Judge for yourself.**

350,000

MACHINES DELIVERED

SHARING OUR CUSTOMERS' SUCCESS

No matter what we say or how passionately we argue our case, ultimately heavyweight credibility comes down to one unavoidable question.

Can our machines really cut it in the real world?

Our answer?

Ask the satisfied owners of the **350,000** LiuGong wheel loaders already delivered. Their trust in our knowledge, their satisfaction in our product and their loyalty, have made LiuGong one of the world's largest wheel loader manufacturers.

Don't take our word... take theirs.



“ GET'S THE JOB DONE

I have been the operator of this LiuGong wheel loader since the company purchased it three years ago... It is used day in, day out, eight-to-ten hours a day, five and sometimes six days a week.

Even though stone mines are tough on machinery we have not had any major problems. Age has not effected the controls; they are still just as reactive and the engine and lifting performance is still as strong as the day it arrived.

Eszak Terko Ltd – Hungary

A CREDIBLE CHOICE

Even though we know that Chinese brands will be future leaders in the construction industry, we were a little uncertain about what LiuGong could offer, so we did a lot of research online before committing to the purchase. We found that LiuGong is a major player globally and that most of the technical components are from Western Europe so there is very little risk.

If we do have a problem, there is a European parts warehouse in Poland and the local dealer provides good support.

Van Dijk Infragroep – the Netherlands

”





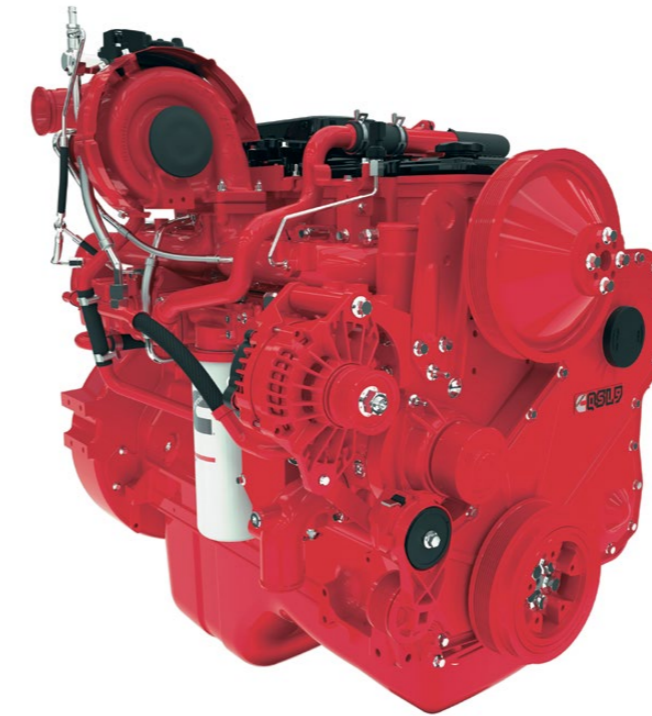
POWER YOU CAN TRUST

Heavyweight credibility is about giving your operators unshakable confidence in their machine and its ability to handle the toughest and heaviest jobs. That's what we do. Our endurance testing exposes our machines to over 30,000 hours of relentless stress testing, to prove that when it comes to credibility, actions speak louder.

POWER WITHOUT WASTE

Environmental as well as economic awareness lie at the heart of our new machines. Powered by the latest fuel efficient Cummins engine, it has a net power rating of 210 - 273 kW (285 - 371 hp) and fully complies with EU Stage II emission standards without compromising on power or performance.

For operational efficiency, the engine uses a precise fuel injection system, turbo charger and air-to-air intercooler to deliver optimal performance in every cycle in every shift. Engine emissions are virtually eliminated by NOx and Dual reduction Technology, ensuring that the machine delivers, both for the environment and the bottom line.



INTELLIGENT AUTO-IDLE SPEED CONTROL

Fuel consumption and emissions are closely linked to engine speed – the greater the control and optimization, the lower the fuel consumption and emissions. Intelligent Auto-Idle Speed cleverly matches engine speed and RPM with the job in hand and will automatically switch to idle speed in between actions, greatly improving environmental and economic performance.

KEEPING IT COOL AND CLEAN

Inefficient engine cooling has a negative effect on fuel economy and emissions. We have focused our design experience on greatly improving the engine cooling system. The new 6 mm hexagon grill improves ventilation while a new reversible hydraulic fan, increases cooling efficiency with the flick of a button.



SMART FUEL ECONOMY

The intelligent combination of powerful digging force, swing torque and lifting performance make the most of every drop of fuel. The machine maximizes fuel economy by intelligently regulating its idle speed by the second.



1 second: If no hydraulic request signal detected from the joystick, the engine speed is automatically dropped by 100 rpm.



3 seconds: If no activity is detected over three seconds the engine speed will decrease to idle. In each case, as soon as the system detects the hydraulic signal once more, the engine will immediately return to the previous throttle speed setting.

HEAVYWEIGHT CREDIBILITY IS POWER IN ACTION

Power means nothing unless it can be intelligently employed to get the job done faster and better. Cycle after cycle it's about taking the power from the engine and delivering that power with force and efficiency to the loading tool.

LOAD SENSING HYDRAULICS – POWER WHERE YOU WANT IT

Our hydraulic system delivers an impressively high breakout force with control and precision delivering power to where the operator really needs it. Lifting and cycle speeds are equally impressive. This is power where you need it, improving penetration, allowing simultaneous lift and tilt functions to be executed and reducing hydraulic waste.

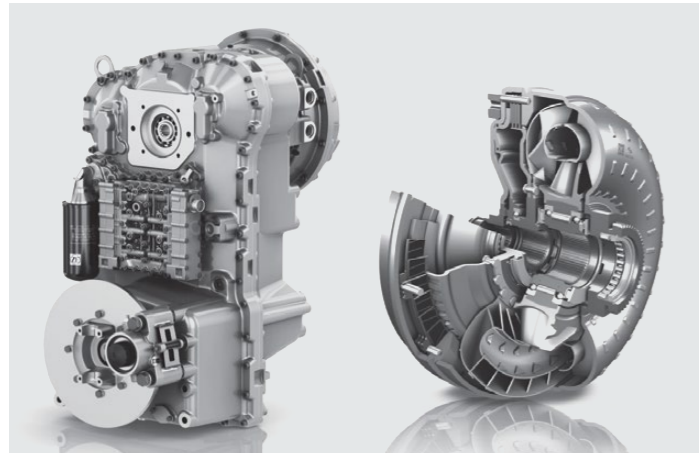
AUTOMATIC TRANSMISSION – ENHANCING OPERATOR PERFORMANCE AND FUEL ECONOMY

The automatic powershift transmission helps even the newest operator perform like a fuel wise professional matching the machine's performance perfectly to the job, whatever that job may be.

Three selectable options; Manual, Semi-auto and Full auto, make it easier to do the job better, saving time and reducing fuel and emissions. Fuel economy is further improved by the ICCO or Intelligent Clutch Cut Off which significantly improves loading efficiency. Finally, operators really appreciate the new AEB clutch adjustment in the gear box which ensures fast and smooth gears shifts, making their life noticeably easier.

RIDE CONTROL – POWER AND COMFORT

Heavyweight work can be tough on man and machine. LiuGong's next generation ride control, teamed with automated bucket positioning sets the new benchmark for heavy lifting applications. Loading shocks and impacts are greatly reduced, that's good news for operators and for the machine's longevity. Smoother load handling and manoeuvrability around the site has been noticeably improved with material spillage greatly reduced, leading to faster, more productive cycle times, reduced fuel consumption and higher operator performance and satisfaction.



DESIGNED TO MAKE TOUGH WORK EASY ON THE OPERATOR

Climb into the H series cab and you can see that it has been designed by someone who has operated a machine in really tough conditions and who knows the importance of excellent visibility.

For a start, 5-Bar stamped steps with a 10° ergonomic incline and improved anti-slip tread make the wheel loaders safe and easy to get in and out of.

Well-placed door handles, safety rails and anti-slip tape on the upper part of the make it easier and safer for operators to enter and exit the cab safely in all weathers and conditions.

Inside, the cab is secure and protected with space to work and excellent visibility from the redesigned windows and effective mirror and rear view camera combinations which improve overall visibility by 15%.

The controls including, joystick or finger control levers are where the operator needs them to be. They are easy to see, easy to

reach and easy to handle.

The multi-adjustable air-suspension seats are comfortable and designed to keep the operator fresh and alert.

WE PUT OPERATORS FIRST

It makes good business sense to give operators the very best working environment – a comfortable operator is a productive operator.

It keeps operators safer, more alert and more productive.

The cab protects the operator from noise and vibrations and is well ventilated. It has advanced climate control to handle the changing seasons and is completely sealed to prevent dust from entering the work place.

HEAVY WORK – NO SWEAT

An advanced climate control system with eight all-round vents, five selection modes and 6 kW of cooling capacity, creates the perfect working environment whatever the weather.

Easy-to-replace air filters eliminate dust and prevent particles from polluting the cab.

CONTROL IN THE OPERATOR'S HANDS

We believe in making life easy for the operator which is why we've positioned the kick-down and forward/reverse buttons on the joystick.

The kick-down function gives the operator finger-tip control enabling him to lower the gear, increase engine torque and maximize bucket breakout force with the minimum of effort.



DAILY CHECKS AND MAINTENANCE SHOULDN'T BE TOUGH

Simple daily checks and maintenance prolong machine performance but, they can be difficult and time consuming on tough jobsites where time is precious.

Not with the our H series wheel loaders.

The electrically actuated, wide opening fiberglass hood gives fast and easy access to the engine and regular service points – that's good news for operators who want to reduce maintenance time to the minimum.

ONBOARD MONITORING

With on board monitoring, the operator can check the machine's vital signs; oil temperatures and pressure levels, receive service interval alerts and access all the information that contributes to simple maintenance and servicing of the machine, right from his seat.



Maintenance speed and access is further improved with sturdy handrails, fitted as standard, which enable safe and easy access to the upper structure.



An automatic greasing system improves bearing life and reduces repairs by delivering regular and precise amounts of grease to each bearing.

EASILY ACCESSIBLE SERVICE POINTS MAKE DAILY CHECKS FAST AND EFFECTIVE

- Easily visible hydraulic oil level gauge
- Ground accessible, grouped filters
- Easy to reach electronic control box
- Easy to replace A/C filter next to the cab door



JOBSITE UPTIME AND SUPPORT

Heavyweight credibility might convince you to buy your first machine, but it's uptime and support and total cost of ownership which will keep you coming back to buy more machines. Having confidence in the machine's back up and support network is a vital part of the purchasing decision. How do we at LiuGong measure up?

FAST RESPONDING GLOBAL NETWORK

We have an extensive dealer network in more than 100 countries. All supported by 10 regional subsidiaries and 9 global parts centers offering expert training, parts and service support.



WHERE YOU NEED US WHEN YOU NEED US

Reliability is built into our machines but all machines have some planned downtime. Our aim is to reduce even planned down time to the minimum by getting it right. Technician training and parts availability are also high on our agenda, as is keeping you

informed on service and maintenance work and providing clear and accurate estimates, invoices and communication. These may be small things, but customer feedback tells us that these basics really matter – so we aim to get them right.

MAINTENANCE AND SUPPORT PACKAGES

From genuine LiuGong parts, to full repair and maintenance contracts, LiuGong has the flexibility to offer the level of support and response to suit your business and applications. Whatever level of support you choose you can be confident that it is backed up by LiuGong's service promise.



**Right parts.
Right price.
Right service.**

**Above all,
we get it right
the first time.**

1st



WE ARE LiuGong. WORKING HARD TO KEEP OUR GLOBAL CUSTOMERS EARNING



LiuGong SERVICE PROMISE





TOTAL COST OF OWNERSHIP

Heavyweight credibility and uptime and support are two key wheel loader purchasing criteria but ultimately, the machines earning potential, its overall life cost and its trade-in value really matter too.

When it comes to total cost of ownership LiuGong has a strong story to tell.

PROFESSIONAL ADVICE

We are committed to reducing your total cost of ownership and increasing your profits. As part of this, LiuGong's experts will provide targeted advice on everything, from choosing the right machine for your needs to maximizing its efficiency on site.

MACHINE AVAILABILITY

Our machines deliver everything you need and nothing you don't. They are expertly engineered NOT over engineered. As a result of having an extensive manufacturing operation right in the heart of Europe, we can offer significantly shorter lead times on

a range of models, compared with some manufacturers. In fact, we can deliver selected machines in as little as 4 weeks. The faster you can get a machine – the faster you can get working and earning. Our aim is to get you on to the jobsite fast.

TICKET PRICE

At LiuGong, our aim is to provide you with real, measurable value by giving you everything you need and nothing you don't. For example, we choose high quality, proven components such as Cummins engines and Rexroth hydraulic pumps. These proven components, combined with LiuGong design and manufacturing quality, result in a high quality, competitive machine that is totally fit for purpose.

RESIDUAL VALUE

With the combination of LiuGong design and manufacturing excellence, world class components and comprehensive uptime support, our quality holds its value.



IT ALL ADDS UP

With our new wheel loaders we've risen to the challenge and given you everything you need and nothing you don't.

They can handle any job, anywhere and are backed up by LiuGong's service promise. Add up the benefits and you'll see that our new wheel loaders have the formula for success.



HEAVYWEIGHT CREDIBILITY

+

UPTIME AND SUPPORT

+

TOTAL COST OF OWNERSHIP

CUSTOMER SATISFACTION

Operating weight	23,950 kg
Operating weight includes the machine weight with standard work device, no additional equipment or accessories, full fuel tank, all fluids at required level and an operator 75 kg.	
Bucket capacity	3.5 - 7 m ³

ENGINE

Description

Engine: Cummins Tier 2 / Stage II, 8.9 liter, 6-cylinder straight turbocharged diesel engine.	
Air cleaning: three stage air filter.	
Cooling system: Charge air cooler, hydraulic motor drive and temperature-controlled fan.	
Emission rating	Tier 2 / Stage II
Make	Cummins
Model	6LTAA8.9
Engine output - Max gross (SAE J1995 / ISO 14396)	220 kW (299 hp) @ 1,600 rpm
Engine output - Max net (SAE J1349 / ISO 9249)	210 kW (285 hp) @ 1,600 rpm
Peak torque	1,487 N·m @ 1,400 rpm
Displacement	8.9 L
Number of cylinders	6
Aspiration	Turbocharged & Air-to-air intercooled

AXLES

Model	MTL3105II (Wet type)
Differential front type	Limited slip differential
Differential rear type	Limited slip differential
Axle oscillation	±12°

TRANSMISSION

Description

Torque converter: single-stage, three elements; free wheel stator.	
Transmission: ZF Ergopower 4WG260 countershaft transmission F4/R3, electro-proportional valve.	
Gear shifting system: ZF Automatic Power Shift with auto modes (1~4/2~4) all start in gear 2; FNR and kick-down features included; two shifting modes of normal modes and manual modes.	
Transmission type	Countershaft, power shift
Torque converter	Single stage, three elements
Maximum travel speed, fwd	38.3 km/h
Maximum travel speed, rev	26.8 km/h
Number of speed, fwd	4
Number of speed, rev	3

STEERING

Description

Steering system: Load-sensing hydraulic articulated steering.	
System supply: The steering system has priority feed from a load-sensing axial piston pump with variable displacement, dual-pump confluence & steering priority.	
Steering cylinders: Two double-acting cylinders.	
Steering configuration	Articulated
Steering relief pressure	20.7 MPa
Steering cylinders	2
Cylinder bore	100 mm
Rod diameter	60 mm
Stroke	500 mm
Maximum flow	120 L/min
Maximum articulation	±38°
Smallest turn (over tire)	6,625 mm

HYDRAULIC SYSTEM

Description

System supply: one gear pump and one piston pump flow confluence. The steering function always has priority.	
Valves: Double-acting 3-spool valve. The main valve is controlled by a 3-spool pilot valve.	
Lift function: The valve has four positions: lift, hold, lower, and float. Inductive/magnetic automatic boom kick-out can be switched on and off and is adjustable to two positions: bucket at ground level and maximum reach full lifting height.	
Tilt function: The valve has three functions: rollback, hold and dump.	
Cylinders: Double-acting cylinders for all functions.	
Filter: Full-flow filtration through 12 micron (absolute) filter cartridge.	
Main pump type	Piston+Gear
Main relief pressure	20.7 MPa
Raise	5.7 s
Dump time	1.3 s
Float down time	3.3 s
Fastest total cycle time	10.3 s
Controls	Joystick

BRAKES

Description

Rexroth brake solution: Two independent brake circuits Enclosed wet-disc	
Service brake type	Wet discs brake
Service brake actuation	Hydraulic
Parking brake type	Electricity hydraulic control
Parking brake actuation	Hydraulic

ELECTRICAL SYSTEM

Description

Central warning system is a Contronic electrical system with central warning light and buzzer or code for the following functions: Serious engine fault, low steering system pressure, interruption in communication (computer failure). Central warning light and buzzer with the gear engaged for the following functions: Low engine oil pressure, high engine oil temperature, high charge air temperature, low coolant level, high coolant temperature, low transmission oil pressure, high transmission oil temperature, low brake pressure, engaged parking brake, brake charging failure, high hydraulic oil temperature.	
Voltage	24 V
Batteries	2 x 12 V
Battery capacity	2 x 120 Ah
Parking brake actuation	850 A
Reserve capacity	230 min
Alternator rating	1,960 W / 70 A
Starter motor output	7.8 kW

SERVICE REFILL CAPACITIES

Fuel tank	420 L
Engine oil	30 L
Cooling system	36 L
Hydraulic system	220 L
Transmission and torque converter	50 L
Axles, each	60 L

SOUND & ENVIRONMENT

Sound level in cab according to ISO 6396-2008/EN ISO 3744-1995	78 dB(A)-- Travel mode
Sound level in cab according to ISO 6396-2008/EN ISO 3744-1995	79 dB(A)-- Stationary work cycle mode
External sound level according to ISO 6395-2008	109 dB(A)-- Travel mode
External sound level according to ISO 6395-2008	110 dB(A)-- Stationary work cycle mode
Ventilation	9.2 m ³
Heating capacity	5.8 kW
Air conditioning	6 kW (8 hp)

CAB

Description

Instrumentation: All important information is centrally located in the central instrument panel and operator's field of vision.

Large curved front glass, rear view camera and mirrors ensure great visibility.

Adjustable steering column, machinery suspension seat and armrest box, and Denso air conditioning with air outlets all around providing you the best working environment.

Pressurized cab with little noise inside.

The cab is tested and approved according to ROPS (ISO 3471), FOPS (ISO 3449).

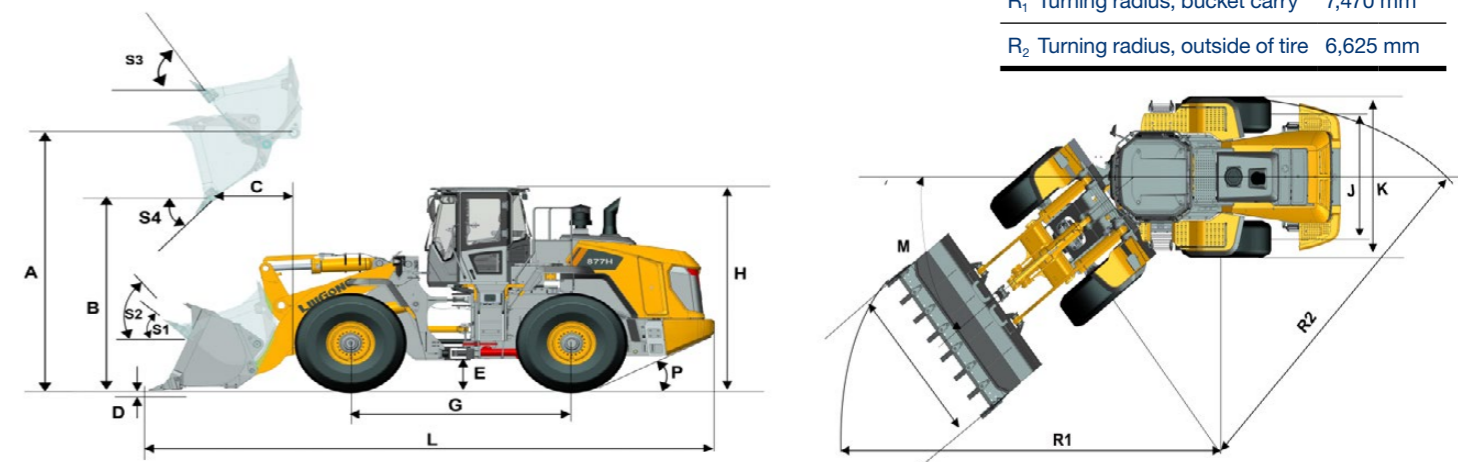
LOADER ARM PERFORMANCE WITH ATTACHMENT

Description

Tipping Load data is calculated with standard bucket at 4.2 m ³ and operating weight at 23,950 kg.	
Tipping load - straight according to ISO 14397-1:2007	18,806 kg
Tipping load - full turn according to ISO 14397-1:2007	16,020 kg
Bucket breakout force	200 kN
A Maximum hinge pin height	4,355 mm
B Dump clearance at full height discharge	3,150 mm
C Dump reach at full height discharge	1,312 mm
D Maximum digging depth, bucket level	100 mm
S1 Bucket rollback at ground level	45°
S2 Bucket rollback at carry	49°
S3 Bucket rollback at maximum height	60°
S4 Maximum dump angle at full height	45°

DIMENSIONS

E Ground clearance	485 mm
G Wheelbase	3,550 mm
H Cab height	3,580 mm
J Wheel tread	2,270 mm
K Width over tires	2,970 mm
L Length with bucket down	9,100 mm
M Turn angle, either side	38°
P Rear angle of departure	26°
R ₁ Turning radius, bucket carry	7,470 mm
R ₂ Turning radius, outside of tire	6,625 mm



Operating weight	25,300 kg
------------------	-----------

Operating weight includes coolant, lubricants, full fuel tank, cab, standard shoes, boom, arm, bucket and operator 75 kg.

Bucket capacity	3.5 - 7.0 m ³
-----------------	--------------------------

ENGINE

Description

Engine: Cummins Tier 2 / Stage II, inline 6-cylinder, turbocharged, electrically controlled direct injection diesel engine.

Air cleaning: Three-stage air filter.

Cooling system: Charge air cooler, hydraulic motor drive and temperature-controlled fan.

Emission rating	Tier 2 / Stage II
-----------------	-------------------

Make	Cummins
------	---------

Model	QSM11
-------	-------

Engine output - Max gross (SAE J1995 / ISO 14396)	235 kW (319 hp) @ 1,500 rpm
---	-----------------------------

Engine output - Max net (SAE J1349 / ISO 9249)	223 kW (303 hp) @ 1,500 rpm
--	-----------------------------

Peak torque	1,600 N·m @ 1,400 rpm
-------------	-----------------------

Displacement	10.8 L
--------------	--------

Number of cylinders	6
---------------------	---

Aspiration	Turbocharged & Air-to-air intercooled
------------	---------------------------------------

AXLES

Model	MTL3105II (Wet type)
-------	----------------------

Differential front type	Limited slip differential
-------------------------	---------------------------

Differential rear type	Limited slip differential
------------------------	---------------------------

Axle oscillation	±12°
------------------	------

TRANSMISSION

Description

Torque converter: single-stage, three elements; free wheel stator.

Transmission: ZF Ergopower countershaft transmission, electro-proportional valve.

Gear shifting system: ZF Automatic Power Shift with auto modes (1-4/2-4) all start in gear 2; FNR and kick-down features included; two shifting modes of normal modes and speed priority modes.

Transmission type	Countershaft, power shift
-------------------	---------------------------

Torque converter	Single stage, three elements, free wheel stator
------------------	---

Maximum travel speed, fwd	40 km/h
---------------------------	---------

Maximum travel speed, rev	27.5 km/h
---------------------------	-----------

Number of speed, fwd	4
----------------------	---

Number of speed, rev	3
----------------------	---

STEERING

Description

Steering system: Load-sensing hydraulic articulated steering.

System supply: The steering system has priority feed from a load-sensing axial piston pump with variable displacement, dual-pump confluence & steering priority.

Steering cylinders: Two double-acting cylinders.

Steering configuration	Articulated
------------------------	-------------

Steering relief pressure	20.7 MPa
--------------------------	----------

Steering cylinders	2
--------------------	---

Cylinder bore	100 mm
---------------	--------

Rod diameter	60 mm
--------------	-------

Stroke	500 mm
--------	--------

Maximum flow	260 L/min
--------------	-----------

Maximum articulation	±38°
----------------------	------

Smallest turn (over tire)	6,625 mm
---------------------------	----------

HYDRAULIC SYSTEM

Description

System supply: Two load-sensing axial piston pumps with variable displacement and flow confluence. The steering function always has priority.

Valves: Double-acting 2-spool valve. The main valve is controlled by pilot pressure and electric hydraulic servo.

Lift function: The valve has four positions: lift, hold, lower, and float. Inductive/magnetic automatic boom kick-out can be switched on and off and is adjustable to two positions: bucket at ground level and maximum reach full lifting height.

Tilt function: The valve has three functions: rollback, hold and dump.

Cylinders: Double-acting cylinders for all functions.

Filter: Full-flow filtration through 12 micron (absolute) filter cartridge.

Main pump type	Piston+Gear
----------------	-------------

Main relief pressure	23 MPa
----------------------	--------

Raise	5.8 s
-------	-------

Dump time	1.4 s
-----------	-------

Float down time	3.3 s
-----------------	-------

Fastest total cycle time	10.5 s
--------------------------	--------

Controls	Joystick
----------	----------

BRAKES

Description

MICO solution: Two independent brake circuits; Enclosed wet-disc

Service brake type	Wet discs brake
--------------------	-----------------

Service brake actuation	Hydraulic
-------------------------	-----------

Parking brake type	Mechanical control
--------------------	--------------------

Parking brake actuation	Electro-hydraulic
-------------------------	-------------------

ELECTRICAL SYSTEM

Description

Central warning system is a Contronic electrical system with central warning light and buzzer or code for the following functions: Serious engine fault, low steering system pressure, interruption in communication (computer failure). Central warning light and buzzer with the gear engaged for the following functions: Low engine oil pressure, high engine oil temperature, high charge air temperature, low coolant level, high coolant temperature, low transmission oil pressure, high transmission oil temperature, low brake pressure, engaged parking brake, brake charging failure, high hydraulic oil temperature.

Voltage	24 V
---------	------

Batteries	2 x 12 V
-----------	----------

Battery capacity	2 x 120 Ah
------------------	------------

Parking brake actuation	850 A
-------------------------	-------

Reserve capacity	230 min
------------------	---------

Alternator rating	1,960 W / 70 A
-------------------	----------------

Starter motor output	7.8 kW
----------------------	--------

SERVICE REFILL CAPACITIES

Fuel tank	420 L
-----------	-------

Engine oil	33 L
------------	------

Cooling system	36 L
----------------	------

Hydraulic system	220 L
------------------	-------

Transmission and torque converter	50 L
-----------------------------------	------

Axles, each	60 L
-------------	------

SOUND & ENVIRONMENT

Sound level in cab according to ISO 6396-2008/EN ISO 3744-1995	78 dB(A)-- Travel mode
--	------------------------

Sound level in cab according to ISO 6396-2008/EN ISO 3744-1995	79 dB(A)-- Stationary work cycle mode
--	---------------------------------------

External sound level according to ISO 6395-2008	109 dB(A)-- Travel mode
---	-------------------------

External sound level according to ISO 6395-2008	110 dB(A)-- Stationary work cycle mode
---	--

Ventilation	9.2 m ³
-------------	--------------------

Heating capacity	5.8 kW
------------------	--------

Air conditioning	6 kW
------------------	------

CAB

Description

Instrumentation: All important information is centrally located in the central instrument panel and operator's field of vision.

Large curved front glass, rear view camera and mirrors ensure great visibility.

Adjustable steering column, machinery suspension seat and armrest box, and Denso air conditioning with air outlets all around providing you the best working environment.

Pressurized cab with little noise inside.

The cab is tested and approved according to ROPS (ISO 3471), FOPS (ISO 3449).

LOADER ARM PERFORMANCE WITH ATTACHMENT

Description

Tipping Load data is calculated with standard bucket at 4.5 m³ and operating weight at 25,300 kg.

Tipping load - straight according to ISO 14397-1:2007	20,378 kg
---	-----------

Tipping load - full turn according to ISO 14397-1:2007	17,560 kg
--	-----------

Bucket breakout force	220 kN
-----------------------	--------

A Maximum hinge pin height	4,552 mm
----------------------------	----------

B Dump clearance at full height discharge	3,300 mm
---	----------

C Dump reach at full height discharge	1,385 mm
---------------------------------------	----------

D Maximum digging depth, bucket level	100 mm
---------------------------------------	--------

S1 Bucket rollback at ground level	45°
------------------------------------	-----

S2 Bucket rollback at carry	49°
-----------------------------	-----

S3 Bucket rollback at maximum height	61°
--------------------------------------	-----

S4 Maximum dump angle at full height	45°
--------------------------------------	-----

DIMENSIONS

E Ground clearance	485 mm
--------------------	--------

G Wheelbase	3,550 mm
-------------	----------

H Cab height	3,580 mm
--------------	----------

J Wheel tread	2,270 mm
---------------	----------

K Width over tires	2,970 mm
--------------------	----------

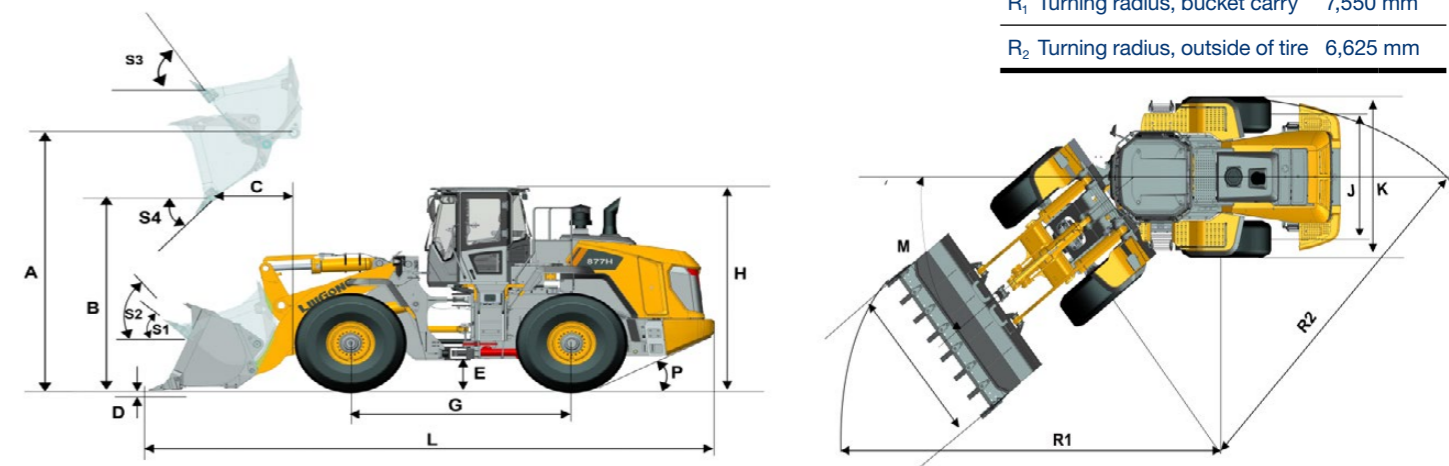
L Length with bucket down	9,300 mm
---------------------------	----------

M Turn angle, either side	38°
---------------------------	-----

P Rear angle of departure	26°
---------------------------	-----

R ₁ Turning radius, bucket carry	7,550 mm
---	----------

R ₂ Turning radius, outside of tire	6,625 mm
--	----------



Operating weight	30,600 kg
------------------	-----------

Operating weight includes the machine weight with standard work device, no additional equipment or accessories, full fuel tank, all fluids at required level and an operator 75 kg.

Bucket capacity	4.5 - 9.0 m ³
-----------------	--------------------------

ENGINE**Description**

Engine: Cummins Tier 2 / Stage II, inline 6-cylinder, turbocharged, electrically controlled direct injection diesel engine.

Air cleaning: Three-stage air filter.

Cooling system: Charge air cooler, hydraulic motor drive and temperature-controlled fan.

Emission rating	Tier 2 / Stage II
-----------------	-------------------

Make	Cummins
------	---------

Model	QSM11
-------	-------

Engine output - Max gross (SAE J1995 / ISO 14396)	287 kW (390 hp) @ 1,800 rpm
---	-----------------------------

Engine output - Max net (SAE J1349 / ISO 9249)	273 kW (371 hp) @ 1,800 rpm
--	-----------------------------

Peak torque	1,776 N-m @ 1,400 rpm
-------------	-----------------------

Displacement	10.8 L
--------------	--------

Number of cylinders	6
---------------------	---

Aspiration	Turbocharged & Air-to-air intercooled
------------	---------------------------------------

AXLES

Model	MTL3125II / MTL3115II (Wet type)
-------	----------------------------------

Differential front type	Hydraulic lock differential
-------------------------	-----------------------------

Differential rear type	Conventional
------------------------	--------------

Axle oscillation	±13°
------------------	------

TRANSMISSION**Description**

Torque converter: single-stage, three elements; free wheel stator.

Transmission: ZF Ergopower 4WG310 countershaft transmission F4/R3, electro-proportional valve.

Gear shifting system: ZF Automatic Power Shift with auto modes (1-4/2-4) all start in gear 2; FNR and kick-down features included; two shifting modes of normal modes and speed priority modes.

Transmission type	Countershaft, power shift
-------------------	---------------------------

Torque converter	Single stage, three elements, free wheel stator
------------------	---

Maximum travel speed, fwd	38.2 km/h
---------------------------	-----------

Maximum travel speed, rev	26.5 km/h
---------------------------	-----------

Number of speed, fwd	4
----------------------	---

Number of speed, rev	3
----------------------	---

STEERING**Description**

Steering system: Load-sensing hydraulic articulated steering.

System supply: The steering system has priority feed from a load-sensing axial piston pump with variable displacement, dual-pump confluence & steering priority.

Steering cylinders: Two double-acting cylinders.

Steering configuration	Articulated
------------------------	-------------

Steering relief pressure	20.7 MPa
--------------------------	----------

Steering cylinders	2
--------------------	---

Cylinder bore	100 mm
---------------	--------

Rod diameter	60 mm
--------------	-------

Stroke	578 mm
--------	--------

Maximum flow	120 L/min
--------------	-----------

Maximum articulation	±38°
----------------------	------

Smallest turn (over tire)	7,011 mm
---------------------------	----------

HYDRAULIC SYSTEM**Description**

System supply: Two load-sensing axial piston pumps with variable displacement and flow confluence. The steering function always has priority.

Valves: Double-acting 2-spool valve. The main valve is controlled by pilot pressure and electric hydraulic servo.

Lift function: The valve has four positions: lift, hold, lower, and float. Inductive/magnetic automatic boom kick-out can be switched on and off and is adjustable to two positions: bucket at ground level and maximum reach full lifting height.

Tilt function: The valve has three functions: rollback, hold and dump.

Cylinders: Double-acting cylinders for all functions.

Filter: Full-flow filtration through 12 micron (absolute) filter cartridge.

Main pump type	Piston
----------------	--------

Main relief pressure	26 MPa
----------------------	--------

Raise	6.0 s
-------	-------

Dump time	1.6 s
-----------	-------

Float down time	3.4 s
-----------------	-------

Fastest total cycle time	11.0 s
--------------------------	--------

Controls	3 levers, finger control
----------	--------------------------

BRAKES**Description**

MICO brake solution: Two independent brake circuits Enclosed wet-disc

Service brake type	Wet discs brake
--------------------	-----------------

Service brake actuation	Hydraulic
-------------------------	-----------

Parking brake type	Mechanical control
--------------------	--------------------

Parking brake actuation	Hydraulic
-------------------------	-----------

ELECTRICAL SYSTEM**Description**

Central warning system is a Contronic electrical system with central warning light and buzzer for the following functions: Serious engine fault, low steering system pressure, interruption in communication (computer failure). Central warning light and buzzer or code with the gear engaged for the following functions: Low engine oil pressure, high engine oil temperature, high charge air temperature, low coolant level, high coolant temperature, low transmission oil pressure, high transmission oil temperature, low brake pressure, engaged parking brake, brake charging failure, high hydraulic oil temperature.

Voltage	24 V
---------	------

Batteries	2 x 12 V
-----------	----------

Battery capacity	2 x 120 Ah
------------------	------------

Parking brake actuation	850 A
-------------------------	-------

Reserve capacity	230 min
------------------	---------

Alternator rating	1,960 W / 70 A
-------------------	----------------

Starter motor output	8 kW
----------------------	------

SERVICE REFILL CAPACITIES

Fuel tank	485 L
-----------	-------

Engine oil	33 L
------------	------

Cooling system	41 L
----------------	------

Hydraulic system	255 L
------------------	-------

Transmission and torque converter	50 L
-----------------------------------	------

Axles, each	65 L
-------------	------

SOUND & ENVIRONMENT

Sound level in cab according to ISO 6396-2008/EN ISO 3744-1995	75 dB(A)-- Travel mode
--	------------------------

Sound level in cab according to ISO 6396-2008/EN ISO 3744-1995	76 dB(A)-- Stationary work cycle mode
--	---------------------------------------

External sound level according to ISO 6395-2008	108 dB(A)-- Travel mode
---	-------------------------

External sound level according to ISO 6395-2008	109 dB(A)-- Stationary work cycle mode
---	--

Ventilation	9.2 m ³
-------------	--------------------

Heating capacity	5.8 kW
------------------	--------

Air conditioning	6 kW
------------------	------

CAB**Description**

Instrumentation: All important information is centrally located in the central instrument panel and operator's field of vision.

Large curved front glass, rear view camera and mirrors ensure great visibility.

Adjustable steering column, machinery suspension seat and armrest box, and Denso air conditioning with air outlets all around providing you the best working environment.

Pressurized cab with little noise inside.

The cab is tested and approved according to ROPS (ISO 3471), FOPS (ISO 3449).

LOADER ARM PERFORMANCE WITH ATTACHMENT**Description**

Tipping Load data is calculated with standard bucket at 5.4 m³ and operating weight at 30,600 kg.

Tipping load - straight according to ISO 14397-1:2007	23,622 kg
---	-----------

Tipping load - full turn according to ISO 14397-1:2007	20,600 kg
--	-----------

Bucket breakout force	245 kN
-----------------------	--------

A Maximum hinge pin height	4,572 mm
----------------------------	----------

B Dump clearance at full height discharge	3,330 mm
---	----------

C Dump reach at full height discharge	1,479 mm
---------------------------------------	----------

D Maximum digging depth, bucket level	142 mm
---------------------------------------	--------

S1 Bucket rollback at ground level	45°
------------------------------------	-----

S2 Bucket rollback at carry	49°
-----------------------------	-----

S3 Bucket rollback at maximum height	62°
--------------------------------------	-----

S4 Maximum dump angle at full height	45°
--------------------------------------	-----

DIMENSIONS

E Ground clearance	476 mm
--------------------	--------

G Wheelbase	3,700 mm
-------------	----------

H Cab height	3,765 mm
--------------	----------

J Wheel tread	2,420 mm
---------------	----------

K Width over tires	3,170 mm
--------------------	----------

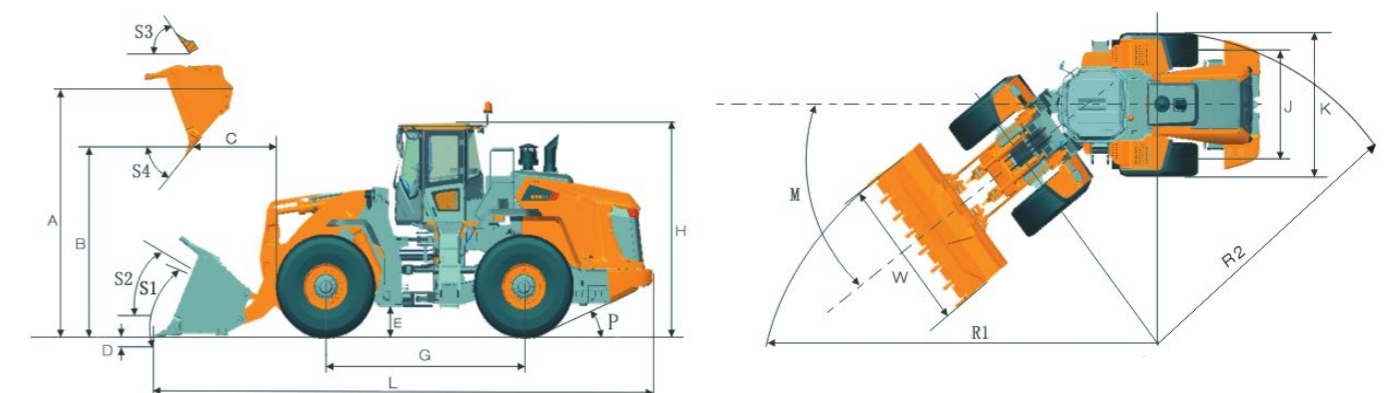
L Length with bucket down	9,352 mm
---------------------------	----------

M Turn angle, either side	38°
---------------------------	-----

P Rear angle of departure	25°
---------------------------	-----

R ₁ Turning radius, bucket carry	7,725 mm
---	----------

R ₂ Turning radius, outside of tire	7,011 mm
--	----------



TIRES - 877H/886H

Choosing the right tyres for your machine will become a key competitive advantage to achieve outstanding performance. Through close engineering and development cooperation with renowned and carefully selected suppliers, LiuGong can offer full range of tyres specially tailored for wheel loader.

Code	Application	Patterns	Size	PR / *	Tube Type	Width	Overall Diameter	Tread Depth	Load Capacity, 50 km/h / 10 km/h
L3	<ul style="list-style-type: none"> In sand operation In all kind of load/carry operation The L3-tread is not as open as L2 and is consequently less self-cleaning 		26.5 - 25	28	TL	675 mm	1,750 mm	38.5 mm	10,000 kg / 15,500 kg
			26.5 R 25	*	TL	674 mm	1,760 mm	40 mm	9,000 kg / 15,000 kg
			26.5 R 25	**	TL	674 mm	1,760 mm	40 mm	11,500 kg / 18,500 kg
L5	<ul style="list-style-type: none"> In very aggressive material where good protection against cut damages is demanded, e.g. in quarries or mines 		26.5 R 25	*	TL	676 mm	1,805 mm	95 mm	15,000 kg, 10 km/h
			26.5 R 25	**	TL	676 mm	1,805 mm	95 mm	18,500 kg, 10 km/h

Note: The radial tire-load bearing capacity is indicated by the number of stars (*). More stars, greater radial tire-load bearing capacity. For the specific radial tire sizes listed in the table above, 2 stars (**) represents the maximum radial tire-load bearing capacity.

TIRES - 890H

Choosing the right tyres for your machine will become a key competitive advantage to achieve outstanding performance. Through close engineering and development cooperation with renowned and carefully selected suppliers, LiuGong can offer full range of tyres specially tailored for wheel loader.

Code	Application	Patterns	Size	PR / *	Tube Type	Width	Overall Diameter	Tread Depth	Load Capacity, 50 km/h / 10 km/h
L3	<ul style="list-style-type: none"> in sand operation in all kind of load/carry operation the L3-tread is not as open as L2 and has consequently less self-cleansing compared with an L2 tyre 		29.5 - 2	28	TL	750 mm	1,975 mm	41 mm	12,150 / 19,000 kg
			29.5 - 25	34	TL	750 mm	1,975 mm	41 mm	14,000 / 21,200 kg
			29.5 - 25	40	TL	750 mm	1,975 mm	41 mm	15,000 / 23,600 kg
			29.5 R 25	**	TL	748 mm	1,860 mm	40 mm	14,000 / 22,400 kg
L4	<ul style="list-style-type: none"> In aggressive material such as blast rock where, to some extent, protection against cut damages is demanded 		29.5 - 25	28	TL	750 mm	2,025 mm	60 mm	12,150 / 19,000 kg
L5	<ul style="list-style-type: none"> in very aggressive material where good protection against cut damages is demanded, e.g. in quarries or mines 		29.5 R 25	*	TL	775 mm	1,950 mm	100 mm	18,000 kg, 10 km/h
			29.5 R 25	**	TL	775 mm	1,950 mm	100 mm	22,400 kg, 10 km/h

Note: The radial tire-load bearing capacity is indicated by the number of stars (*). More stars, greater radial tire-load bearing capacity. For the specific radial tire sizes listed in the table above, 2 stars (**) represents the maximum radial tire-load bearing capacity.

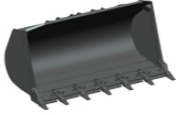
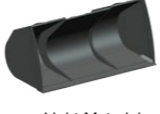



ATTACHMENTS - 877H

LiuGong attachments with pin-on or quick-coupler ensure high quality. The integrated design of the system creates a perfect match to achieve superior productivity.

Type	Capacity	Width	Height	Digging Depth	Dump Clearance	Dump Reach	Description	Attachment Drawing
Standard	4.2 m³	3,150 mm	1,586 mm	100 mm	3,150 mm	1,312 mm	Anti-Wear Blade with Bolt-on Cutting Edge and Bolt-on Teeth.	
	3.5 m³	3,150 mm	1,480 mm	100 mm	3,076 mm	1,341 mm	Anti-Wear Blade with Bolt-on Teeth.	
General Purpose	4.7 m³	3,138 mm	1,596 mm	100 mm	3,068 mm	1,335 mm	Anti-Wear Blade with Bolt-on Cutting Edge and Bolt-on Teeth.	
	5.2 m³	3,424 mm	1,637 mm	100 mm	3,064 mm	1,329 mm	Anti-Wear Blade with Bolt-on Cutting Edge and Bolt-on Teeth.	
Light Material	6.0 m³	3,530 mm	1,646 mm	100 mm	3,005 mm	1,454 mm	Anti-Wear Blade with Bolt-on Cutting Edge	
	7.0 m³	3,530 mm	2,032 mm	100 mm	3,703 mm	1,400 mm	Anti-Wear Blade with Bolt-on Cutting Edge	
Rock	3.5 m³	3,116 mm	1,480 mm	100 mm	3,076 mm	1,341 mm	V-shape Anti-Wear Blade with Bolt-on Cutting Edge and Welded Teeth.	
	4.0 m³	3,116 mm	1,527 mm	100 mm	3,019 mm	1,398 mm	V-shape Anti-Wear Blade with Bolt-on Cutting Edge and Welded Teeth.	
Grapple	4.2 m³	3,116 mm	1,556 mm	100 mm	3,019 mm	1,398 mm	V-shape Anti-Wear Blade with Bolt-on Cutting Edge and Welded Teeth.	
	Φ1,000 mm	2,624 mm	1,850 mm	100 mm	2,992 mm	1,627 mm	Aligned Teeth.	
Grapple	Φ700 mm	2,760 mm	2,000 mm	100 mm	3,022 mm	1,597 mm	Crossed Teeth.	
	Φ1,450 mm	1,942 mm	2,150 mm	100 mm	2,772 mm	1,566 mm	All-round Teeth.	

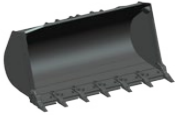


ATTACHMENTS - 886H

LiuGong attachments with pin-on or quick-coupler ensure high quality. The integrated design of the system creates a perfect match to achieve superior productivity.

Type	Capacity	Width	Height	Digging Depth	Dump Clearance	Dump Reach	Description	Attachment Drawing
Standard	4.5 m ³	3,150 mm	1,637 mm	100 mm	3,336 mm	1,283 mm	Anti-Wear Blade Bolt-on Teeth.	 General Purpose
	4.2 m ³	3,150 mm	1,586 mm	100 mm	3,350 mm	1,212 mm	Anti-Wear Blade with Bolt-on Cutting Edge and Bolt-on Teeth.	
General Purpose	4.7 m ³	3,150 mm	1,637 mm	100 mm	3,265 mm	1,298 mm	Anti-Wear Blade with Bolt-on Cutting Edge and Bolt-on Teeth.	 Light Material
	5.2 m ³	3,425 mm	1,637 mm	100 mm	3,265 mm	1,298 mm	Anti-Wear Blade with Bolt-on Cutting Edge and Bolt-on Teeth.	
Light Material	6.0 m ³	3,530 mm	1,646 mm	100 mm	3,202 mm	1,406 mm	Anti-Wear Blade with Bolt-on Cutting Edge	 Rock
	7.0 m ³	3,530 mm	2,032 mm	100 mm	3,244 mm	1,374 mm	Anti-Wear Blade with Bolt-on Cutting Edge	
Rock	3.5 m ³	3,115 mm	1,480 mm	100 mm	3,272 mm	1,304 mm	V-shape Anti-Wear Blade with Bolt-on Cutting Edge and Welded Teeth.	 Grapple with Aligned Teeth
	4.0 m ³	3,106 mm	1,527 mm	100 mm	3,216 mm	1,360 mm	V-shape Anti-Wear Blade with Bolt-on Cutting Edge and Welded Teeth.	
Grapple	4.2 m ³	3,106 mm	1,556 mm	100 mm	3,216 mm	1,360 mm	V-shape Anti-Wear Blade with Bolt-on Cutting Edge and Welded Teeth.	 All-round Grapple
	Φ1,000 mm	2,624 mm	1,850 mm	100 mm	2,992 mm	1,627 mm	Aligned Teeth.	
Grapple	Φ700 mm	2,760 mm	2,000 mm	100 mm	3,022 mm	1,597 mm	Crossed Teeth.	
	Φ1,450 mm	1,942 mm	2,150 mm	100 mm	2,772 mm	1,566 mm	All-round Teeth.	

ATTACHMENTS - 890H

LiuGong attachments with pin-on or quick-coupler ensure high quality. The integrated design of the system creates a perfect match to achieve superior productivity.

Type	Capacity	Width	Height	Digging Depth	Dump Clearance	Dump Reach	Description	Attachment Drawing
Standard	5.4 m ³	3,486 mm	1,831 mm	125 mm	3,330 mm	1,479 mm	Anti-Wear Blade with Bolt-on Cutting Edge and Welded Teeth.	 General Purpose
General Purpose	5 m ³	3,494 mm	1,777 mm	125 mm	3,393 mm	1,416 mm	Anti-Wear Blade with Bolt-on Teeth.	
	General Purpose	5.7 m ³	3,494 mm	1,838 mm	125 mm	3,329 mm	1,479 mm	Anti-Wear Blade with Bolt-on Cutting Edge and Bolt-on Teeth.
6.2 m ³		3,494 mm	1,837 mm	125 mm	2,995 mm	1,233 mm	Anti-Wear Blade with Bolt-on Cutting Edge	
Light Material	6.7 m ³	3,530 mm	1,837 mm	125 mm	3,075 mm	1,733 mm	Anti-Wear Blade with Bolt-on Cutting Edge.	 Rock
	7.2 m ³	3,530 mm	1,878 mm	125 mm	3,026 mm	1,782 mm	Anti-Wear Blade with Bolt-on Cutting Edge.	
Rock	8 m ³	3,530 mm	1,919 mm	125 mm	3,144 mm	1,664 mm	Anti-Wear Blade with Bolt-on Cutting Edge.	 Grapple with Aligned Teeth
	9 m ³	3,530 mm	2,011 mm	125 mm	3,045 mm	1,763 mm	Anti-Wear Blade with Bolt-on Cutting Edge.	
Rock	4 m ³	3,460 mm	1,540 mm	125 mm	3,225 mm	1,573 mm	V-shape.	
	4.5 m ³	3,430 mm	1,658 mm	125 mm	3,176 mm	1,632 mm	V-shape, Anti-Wear Blade with Bolt-on Cutting Edge.	
Grapple	Φ1,350 mm	2,793 mm	2,000 mm	125 mm	2,610 mm	1,678 mm	Aligned Teeth.	

STANDARD EQUIPMENT

ENGINE

877H -

- Cummins QSL9 Engine, EPA Tier 2 / EU Stage II, Air-to-air intercooler, 6 cylinders, 4 stroke
- Hydraulic driven fan
- ECM faults inspecting system

886H/890H -

- Cummins QSM11 Engine, EPA Tier 2 / EU Stage II, Air-to-air intercooler, 6 cylinders, 4 stroke
- Hydraulic driven fan
- EFI(Electric Fuel Injection)
- ECM faults inspecting system
- Intelligent Power Control (IPC)
- Grid Heater

TRANSMISSION

- ZF Ergopower automatic power shift transmission
- Three modes_Manual, Powerful, Efficient
- ICCO (Intelligent Clutch Cut-Off)
- AEB clutch adjustment
- Kick-down function, FNR, F4/R3
- Secondary oil filter, oil stick
- Remote pressure taps for diagnostics

AXLE

- ZF MT-L wet axles
- Wet discs service brake system

HYDRAULIC SYSTEM

877H/886H -

- Single piston pumps with variable displacement. Hydraulic load-sensing according to demand.
- Single joystick control

890H -

- Two piston pumps with variable displacement. Hydraulic load-sensing according to demand.
- Easy simultaneous operating of lift & tilt
- Bucket positioner, automatic
- Lowering the lift boom without engine power

STEERING SYSTEM

- Load sensing system with mature technology of flow amplification and steering priority.

TIRE & RIM

- 877H/886H - 26.5-25 /L3 Bias tire, Tubeless
- 890H only - 29.5-25 /L3 Bias tire, Tubeless

CHASSIS FRAME

- Spacious central articulation arrangement with conic bearing
- Articulation locking bar
- Tow hitch
- Each side with rubber cushion stops

LINKAGE & ATTACHMENTS

- Z-bar linkage

ELECTRIC SYSTEM

- Two front lights with high/low beam
- Four front headlights on top of cab, LED
- Two rear headlights on top of cab, LED
- Turn signals with flasher
- Batteries, free of maintenance
- Cigarette lighter, 24 V power outlet
- Front and rear windshield wiper
- Electronic device compartment
- Back-up Alarm
- Radio/player with USB port
- Reversing warning light, automatic

GAUGE GROUP

- Engine coolant temperature
- Transmission oil temperature
- Fuel level
- Hour meter
- Voltage
- Speed indicator

INDICATOR GROUP

- Air inlet heater
- Battery charging
- Parking brake applied
- Machine emergent stop
- Power cut-off
- Engine servicing
- Turning lights
- Engine starter running
- Beam of front light

CAB

- Certified FOPS (ISO 3449) and ROPS (ISO 3471) cab
- Machinery suspension seat, armrest
- Adjustable steering column, front & rear
- Large curved front glass, adhesive
- Rubber cab mounts
- Cab fresh air filter
- One interior & Dual exterior rear-view mirrors
- Rear-view camera display
- Air conditioner
- Cigar lighter
- Cab rear windshield defroster
- Sun visor
- Fire extinguisher

OPTIONAL EQUIPMENT

ENGINE

- Cold start aid
- Multistage filters
- Electric fuel-feed pump
- Engine body heater port

HYDRAULIC SYSTEM

- Ride control
- Hydraulic driven reversible fan
- Third valve and multipurpose lines
- Fingertip levers control, electronic proportional
- Emergency steering system

TIRE & RIM

- Radial tire
- Tire protective chain
- L5 Pattern
- Full fender

CAB

- Heated air suspension seat
- Heated external rear view mirrors
- Air suspension seat

OTHERS

- Automatic central lubrication
- Wedge block

ELECTRIC SYSTEM

- Electric load weigher
- Front six headlights on top of cab, LED
- Rear headlights on top of cab, LED
- Rotating beacon

LINKAGE & ATTACHMENTS

- Additional Counterweight
- Quick Coupler
- Bolt-on wear-resisted blade and teeth
- Light material bucket
- Rock bucket
- Grapple with aligned or crossed teeth





Guangxi LiuGong Machinery Co., Ltd.
No. 1 Liutai Road, Liuzhou, Guangxi 545007, PR China
T: +86 772 388 6124 E: overseas@liugong.com
www.liugong.com

Like and follow us:



LG-PB-877H/886H/890H-T2-32-032019-ENG

The LiuGong series of logos herein, including but not limited to word marks, device marks, letter of alphabet marks and combination marks, as the registered trademarks of Guangxi LiuGong Group Co., Ltd. are used by Guangxi LiuGong Machinery Co., Ltd. with legal permission, and shall not be used without permission. Specifications and designs are subject to change without notice. Illustrations and pictures may include optional equipment and may not include all standard equipment. Equipment and options varies by regional availability.