

Engine	Perkins 1104D-44T
Gross Power	70 kw (93.9 hp) @ 2,300 rpm
Breakout Force	32.6 kN
Rated Load	1133 kg
Bucket Capacity	0.55 m ³
Operating Weight	3,850 kg

395B SKID STEER LOADER



TOUGH WORLD. TOUGH EQUIPMENT.

395B SPECIFICATIONS >>>

ENGINE

Emission Regulation	EPA Tier3 F & EU Stage IIIA
Make	Perkins
Model	1104D-44T
Gross Power	70 kW (93.9 hp) @ 2,400 rpm
Peak Torque	392N · m @ 1,400 rpm
Number of Cylinders	4
Displacement	4.4 L
Cooling Type	water

ELECTRICAL SYSTEM

System Voltage	12 V
Alternator Output	85 amps

CHAIN TANK

Drive Chain Size	80 HS
------------------	-------

TIRES

Ply Type	pneumatic
Tire Size	12-16.5
Ply Rating	12

HYDRAULIC SYSTEM

System Type	open	
Standard Flow	101 L/min	
Traveling Hydrostatic Pressure	158 MPa	
Working Hydrostatic Pressure	21 MPa	
Hydraulic Cycle Time, total	8.14 s	
Raise	Dump	Lower (float down)
3.54 s	2.52 s	2.08 s

OPERATING WEIGHT

Operating Weight	3,850 kg
------------------	----------

PERFORMANCE

Static Tipping Load	2,267 kg
Rated Load	1133 kg
Boom Breakout Force	26.2 kN
Bucket Breakout Force	32.6 kN
Dump Clearance at Full Height Discharge	2,572 mm
Dump Reach at Full Height Discharge	587 mm
Maximum Dump Angle at Full Height	39°
Maximum Hinge Pin Height	3,278 mm
Bucket Rollback at Ground Level	30°
Ground Clearance	200 mm
Angle of Departure	27°
Front Clearance Radius with Bucket	2,324 mm

SERVICE CAPACITIES

Fuel Tank	110 L
Engine Oil	9 L
Cooling System	20 L
Hydraulic Reservoir	60 L
Hydraulic System Total	80 L
Chain Tanks, Each	12 L

STANDARD EQUIPMENT

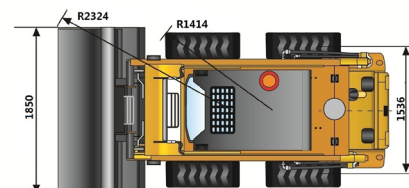
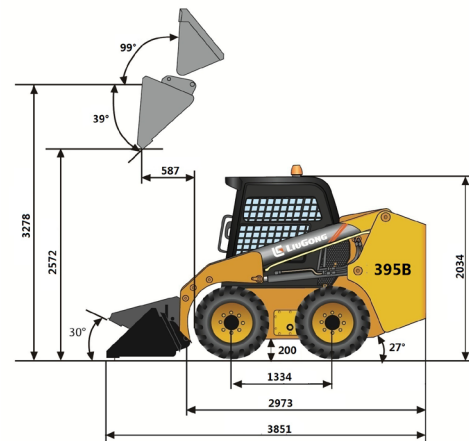
General Bucket –0.55 m ³
Control Safety Interlock
Boom Interlock
Quick Coupler
Open ROPS/FOPS Cab

OPTIONAL EQUIPMENT

Solid Tire
Tire Chains
Heater
Optional Counterweight
High Flow
Two Speed Motor
Enclosed ROPS/FOPS Cab with AC

OPTIONAL ATTACHMENTS

- 4 in 1 Bucket – 0.5 m³
- Rock Bucket – 0.4 m³
- Lift Boom
- Hydraulic Hammer
- Fork
- Auger
- Cold Planer
- Snow Blade
- Pick-up Sweeper
- Hydraulic Shear



Guangxi Liugong Machinery Co., Ltd.

No. 1 Liutai Road, Liuzhou, Guangxi, PR China, 454007
 T: +86 772 3886124 E: overseas@liugong.com
 www.liugong.com

Specifications and designs are subject to change without notice. Machines shown may include optional equipment.

01/2017 Designed by Liugong